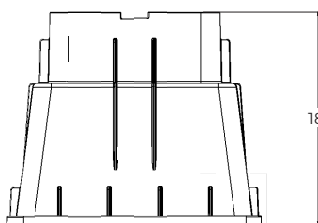
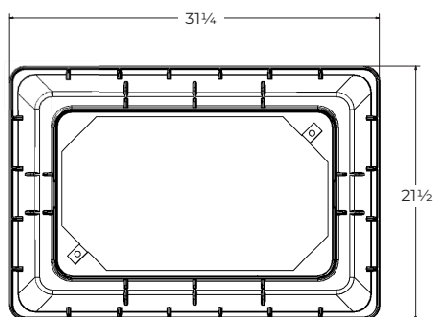
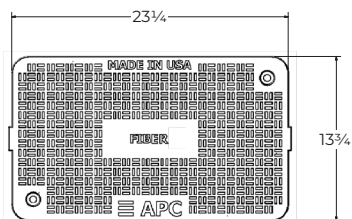


1324

MAXIMUS™ LD
HDPE



Overall performance for a unit—defined as a body and cover with bolts—is determined by the lowest-rated component.

BOLT OPTIONS



PRODUCT OPTIONS AND ACCESSORIES

- + Conduit Entries
- + Dividers
- + EMS Locators
- + Specialty and Security Hardware
- + Grounding and Bonding Accessories

PRODUCT TYPE	NOMINAL SIZE	PERFORMANCE	PART NUMBER	APPROXIMATE WEIGHT
Unit	13" x 24" x 18"	Light Duty	L132418U0301HS	27 lbs.
Box	13" x 24" x 18"	Light Duty	L132418B03	6 lbs.
Cover	13" x 24"	Light Duty	L1324XXC0301	16 lbs.

Part numbers listed in the table are for standard boxes without accessories. Covers and unit part numbers are for blank / no mark covers and units. Units listed above have hex head, machine thread hardware as standard.

APC PRODUCTS MEET OR EXCEED THE FOLLOWING STANDARDS AND GUIDELINES:

- + Build America, Buy America (BABA)
- + ANSI/SCTE 77 2023
- + Telcordia GR-902-CORE
- + Western Underground Committee Guide 3.6



The materials and information in this document have been prepared by American Polymer Company for informational purposes only. American Polymer Company reserves the right to make changes or improvements to the products described in this document at anytime without notice. Revision Date: 02/2024

© American Polymer Company

MARKING OPTIONS

When it comes to marking plates, **your standard is our standard.** Custom markings and artwork are a breeze to customize your enclosure. Connect with our team for more information on markings.

1-888-411-3048

apcunderground.com