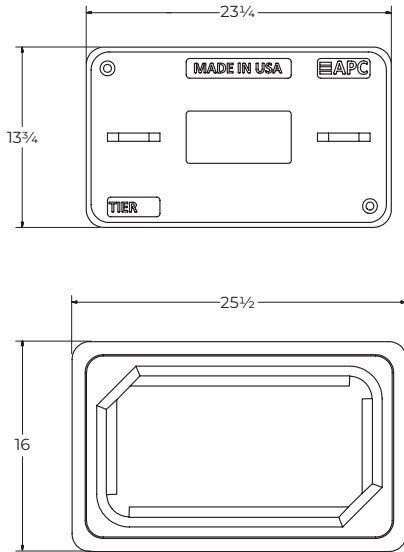


1324

LEGACY SERIES™
POLYMER CONCRETE

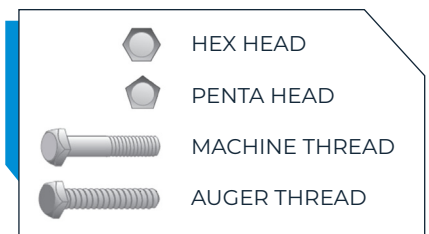


All bodies are rated to ANSI/SCTE Tier 22. Overall performance for a unit—defined as a body and cover with bolts—is determined by the lowest-rated component.

EXAMPLE: A unit using Tier 15 cover and a Tier 22 body, would be rated to Tier 15.

PRODUCT TYPE	NOMINAL SIZE	PERFORMANCE	PART NUMBER	APPROXIMATE WEIGHT
Unit	13" x 24" x 12"	Tier 15	P132412U1500HSE	95 lbs.
Unit	13" x 24" x 12"	Tier 22	P132412U2200HSE	105 lbs.
Unit	13" x 24" x 18"	Tier 15	P132418U1500HSE	118 lbs.
Unit	13" x 24" x 18"	Tier 22	P132418U2200HSE	128 lbs.
Unit	13" x 24" x 24"	Tier 15	P132424U1500HSE	139 lbs.
Unit	13" x 24" x 24"	Tier 22	P132424U2200HSE	149 lbs.
Box	13" x 24" x 12"	Tier 22	P132412B22	55 lbs.
Box	13" x 24" x 18"	Tier 22	P132418B22	78 lbs.
Box	13" x 24" x 24"	Tier 22	P132424B22	99 lbs.
Cover	13" x 24"	Tier 15	P1324XXC1500E	40 lbs.
Cover	13" x 24"	Tier 22	P1324XXC2200E	50 lbs.

BOLT OPTIONS



PRODUCT OPTIONS AND ACCESSORIES

- + Knockouts, Mouseholes, and Conduit Entries
- + Cable Racking
- + Dividers
- + EMS Locators
- + Specialty and Security Hardware
- + Grounding and Bonding Accessories

MARKING OPTIONS

When it comes to marking plates, **your standard is our standard.** Custom markings and artwork are a breeze to customize your enclosure. Connect with our team for more information on markings.

Part numbers listed in the table are for standard boxes without accessories. Covers and unit part numbers are for marking plate required covers and units that have a blank 4" x 8" recess to accept a marking plate. Units listed above have hex head, machine thread hardware as standard.

APC PRODUCTS MEET OR EXCEED THE FOLLOWING STANDARDS AND GUIDELINES:

- + Build America, Buy America (BABA)
- + ANSI/SCTE 77 2023
- + Telcordia GR-902-CORE
- + Western Underground Committee Guide 3.6



The materials and information in this document have been prepared by American Polymer Company for informational purposes only. American Polymer Company reserves the right to make changes or improvements to the products described in this document at anytime without notice. Revision Date: 02/2024

© American Polymer Company

1-888-411-3048

apcunderground.com